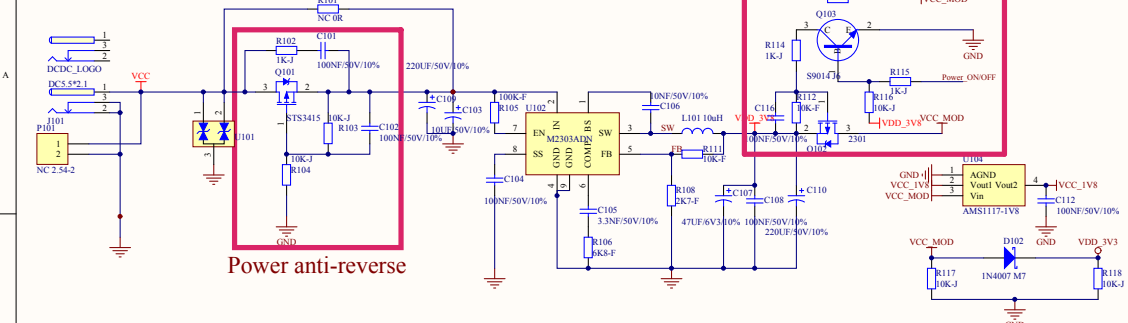
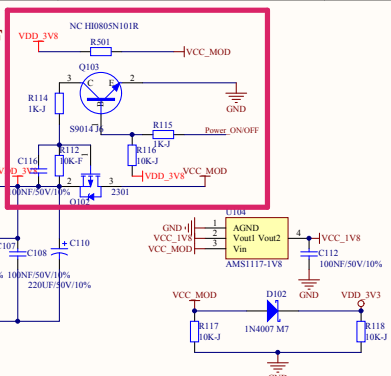


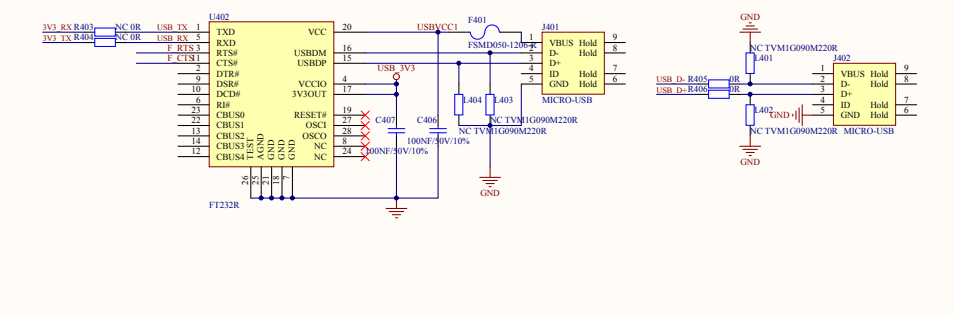
# POWER



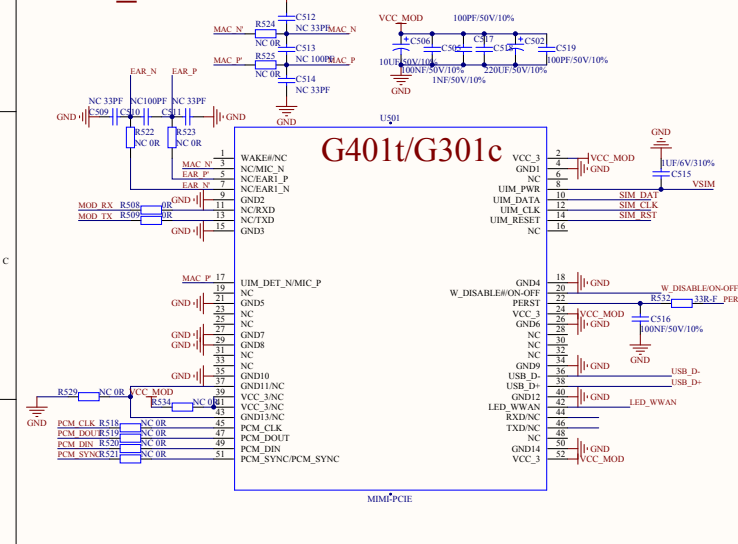
# Power ON/OFF



# USB

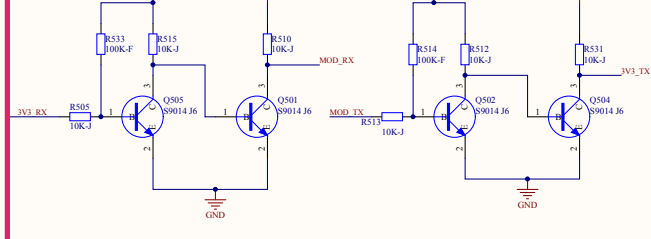


# MOD\_PCIE

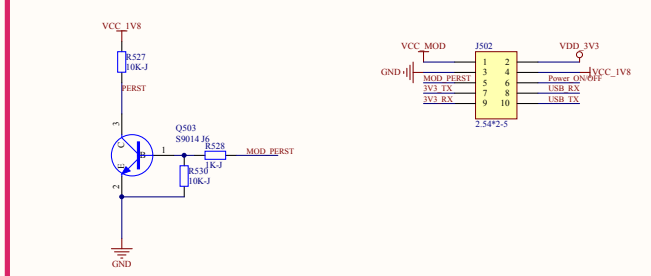


# G401t/G301c

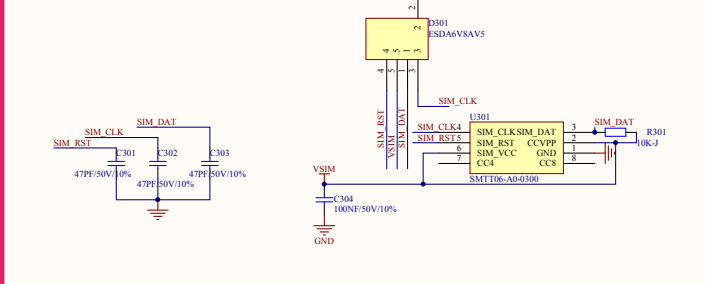
# I/O



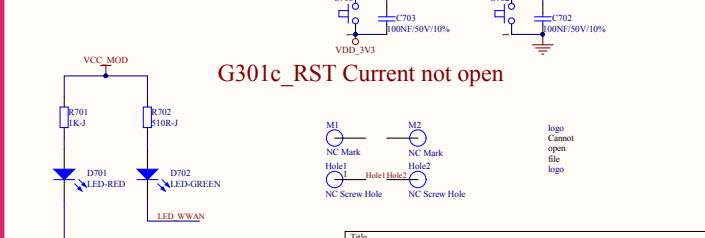
# G401t\_UART Current not open



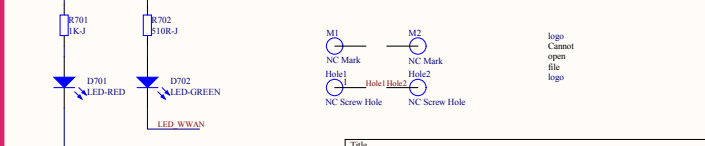
# SIM



# LED KEY



# G301c\_RST Current not open



Title		
Size	Number	Revision
A3		
Date:	2016/1/3	Sheet of
File:	E:\_USR-mpCte-EVK V1.1 Sch	Drawn By: