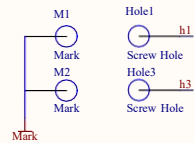
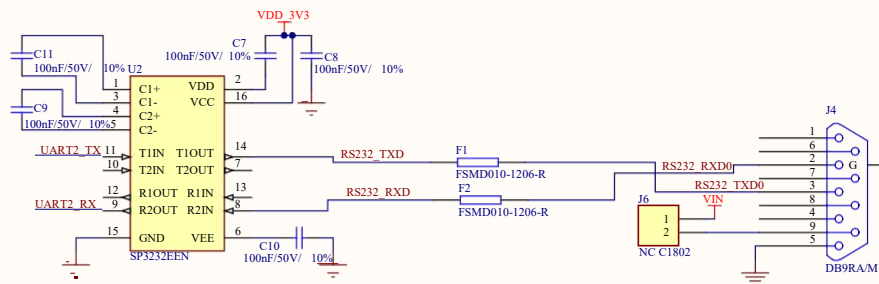


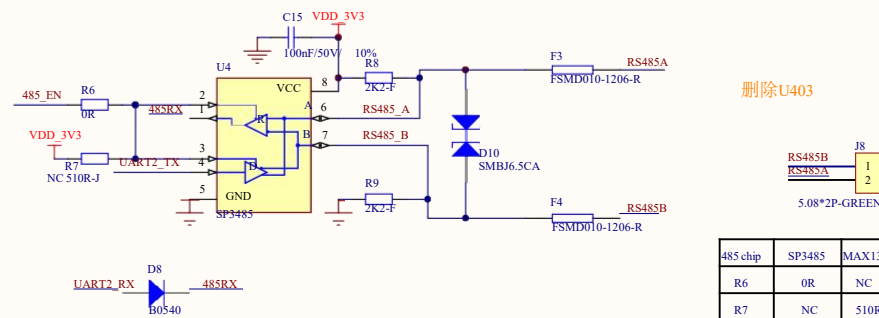
1 Power



2 RS232



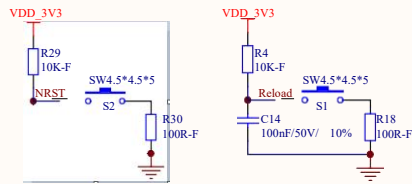
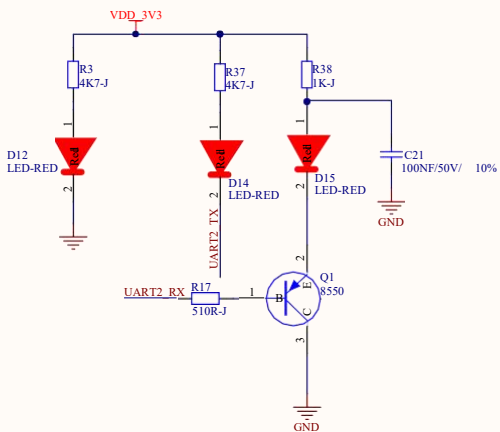
3 485



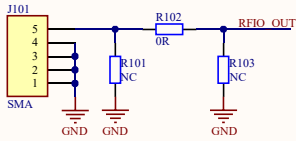
删除U403

485 chip	SP3485	MAX13487
R6	0R	NC
R7	NC	510R

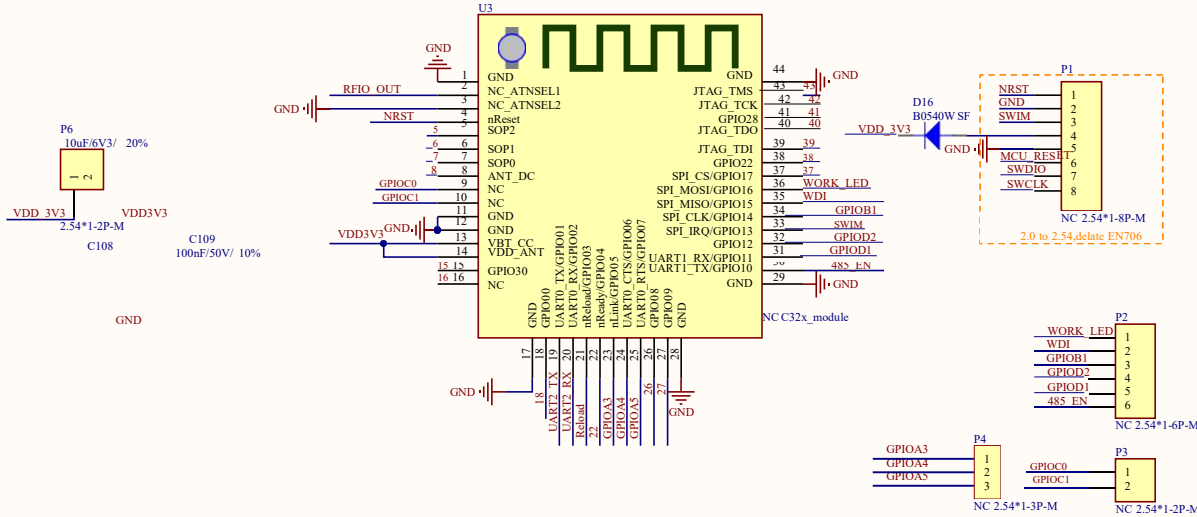
4 LED KEY



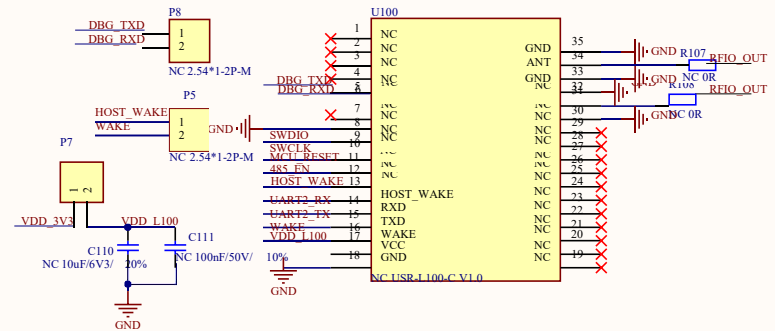
Title		
Size	Number	Revision
A3		
Date:	2018-07-05	Sheet of
File:	F:\03-lora\WH-L10x-EVK-01-Power	U2.DRAWING.Doc



L101



L100



Title		
Size	Number	Revision
A3		
Date:	2018-07-05	Sheet of
File:	F:\03-lora\...WH-L10x-EVK-02-Module	1/1