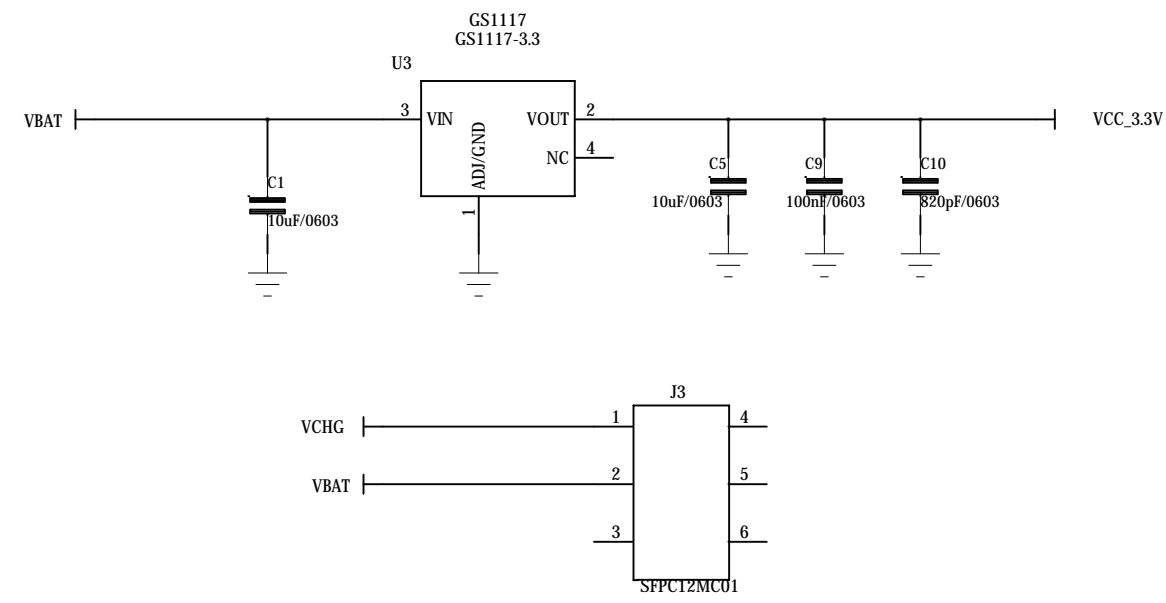
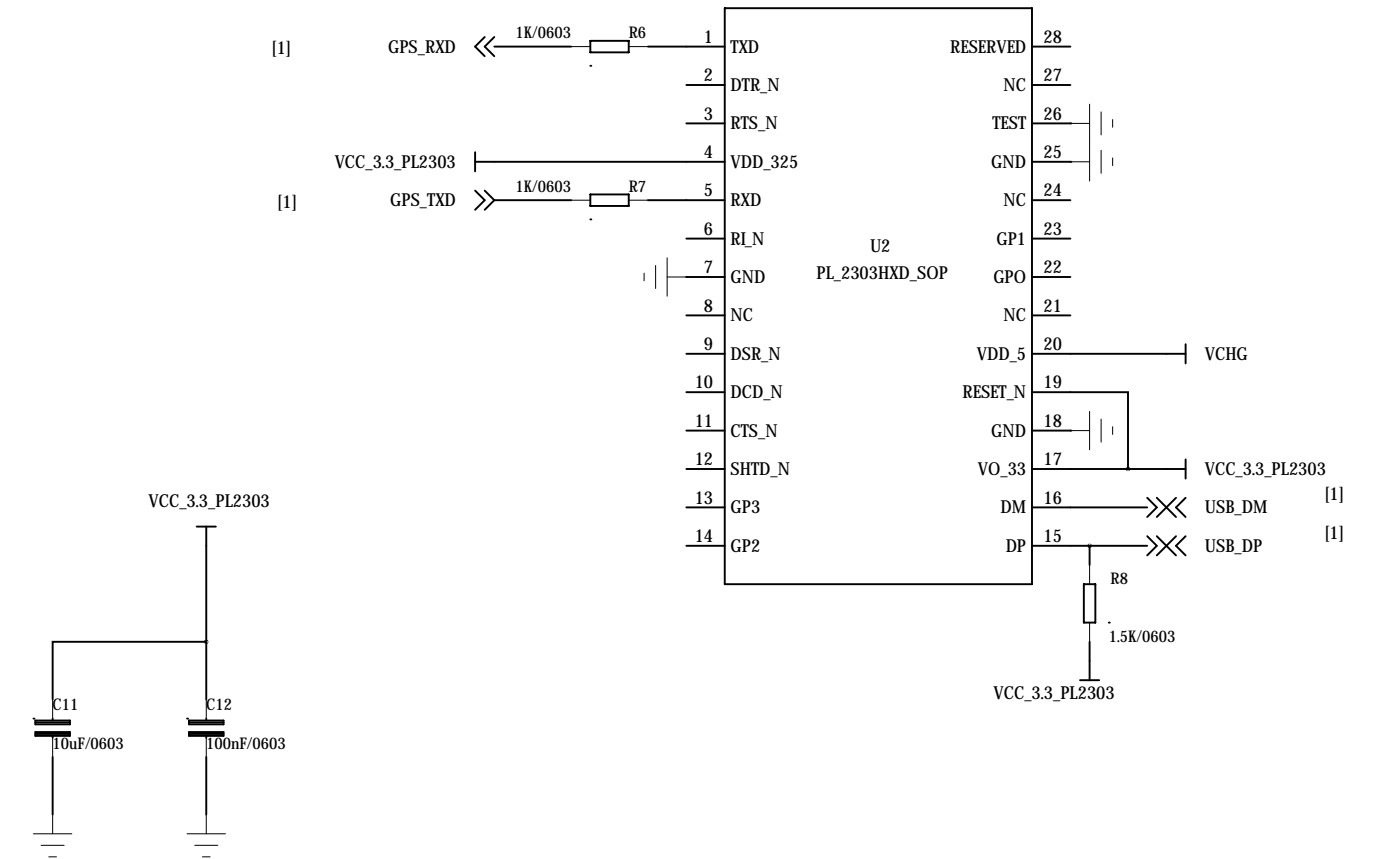
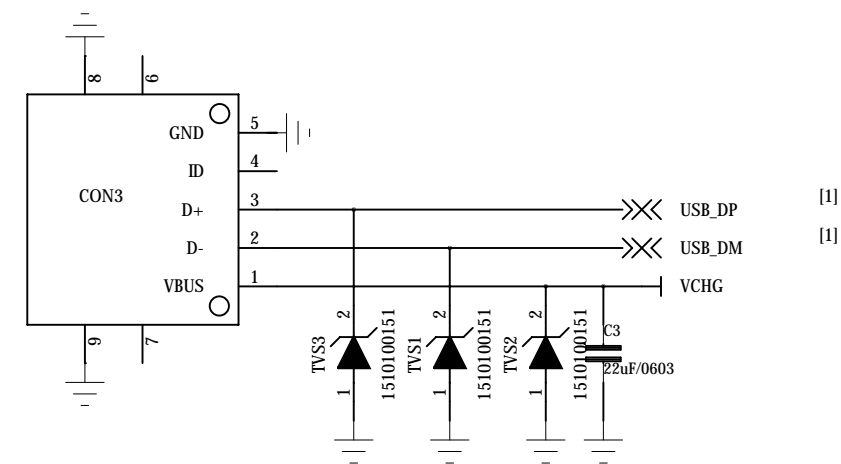


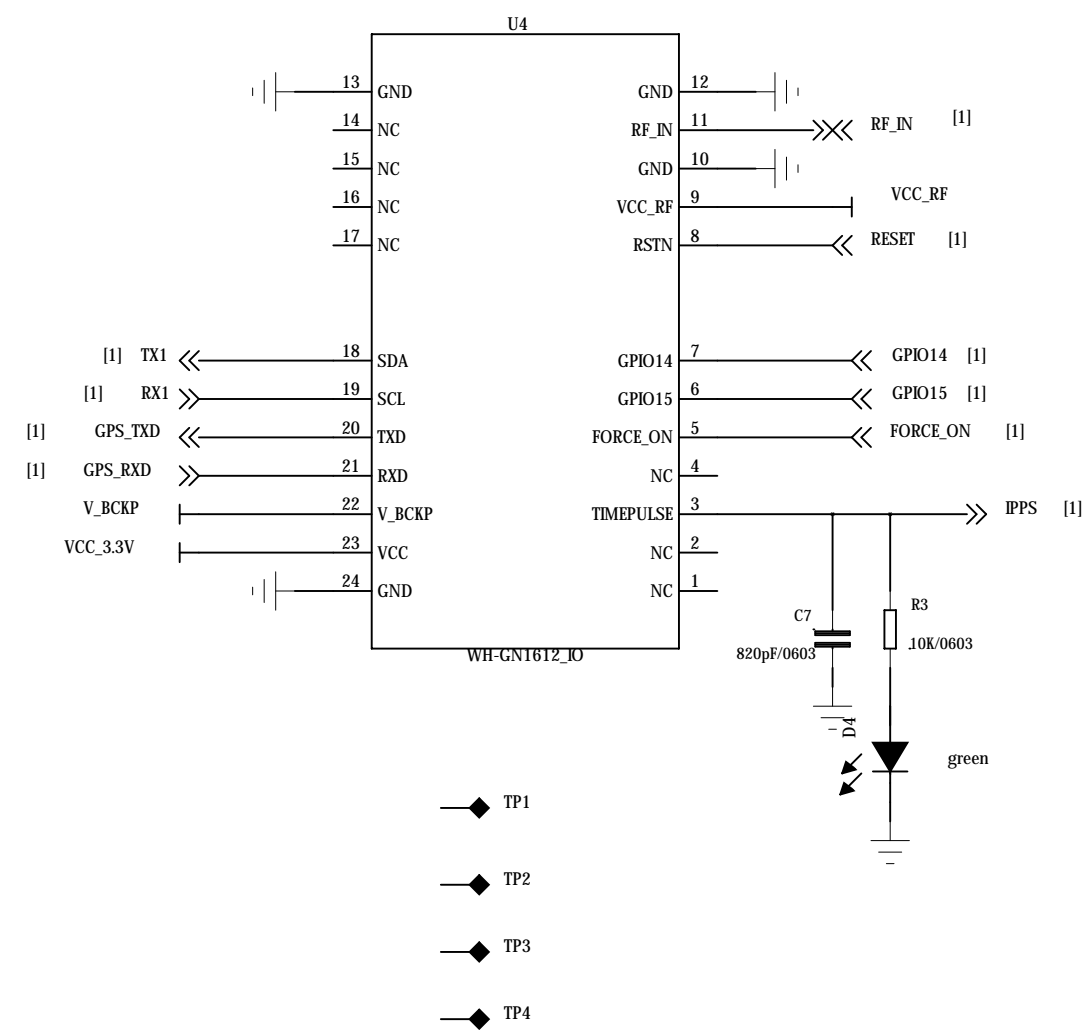
# Power



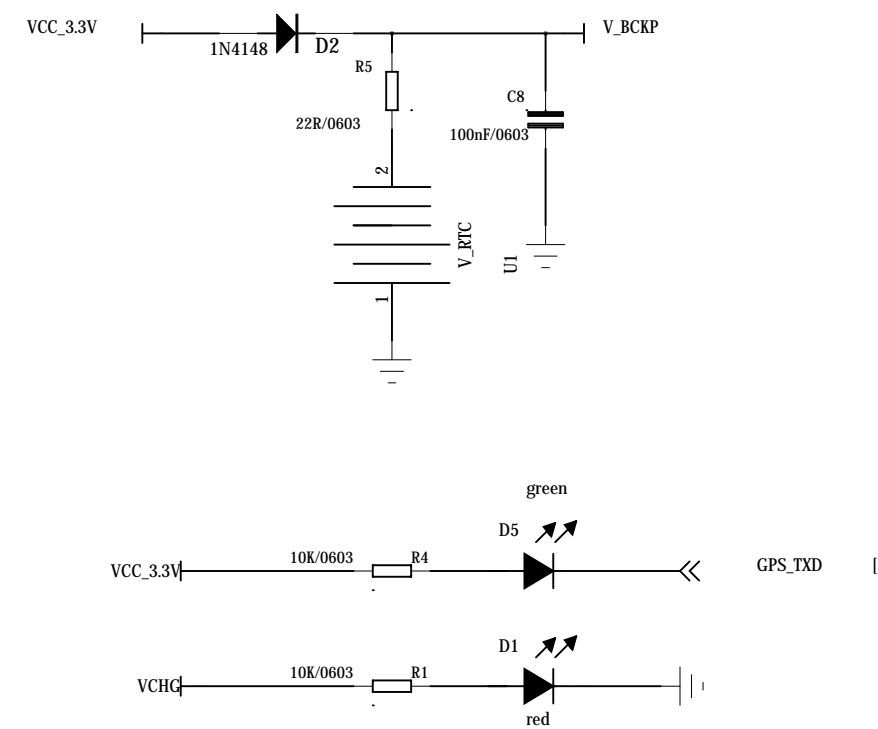
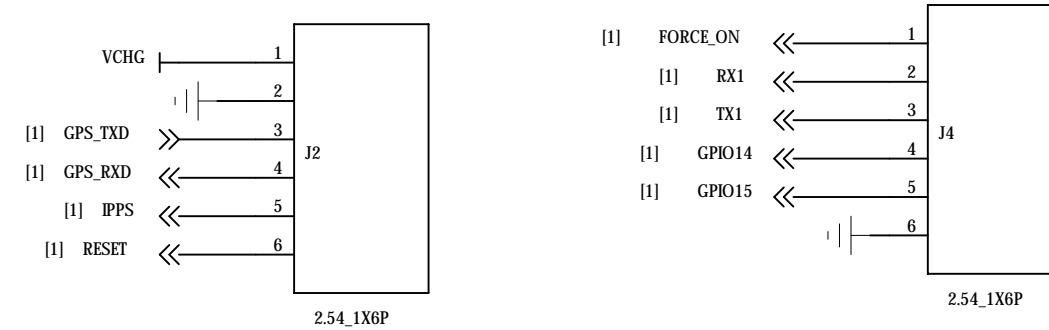
# USB Convert to UART



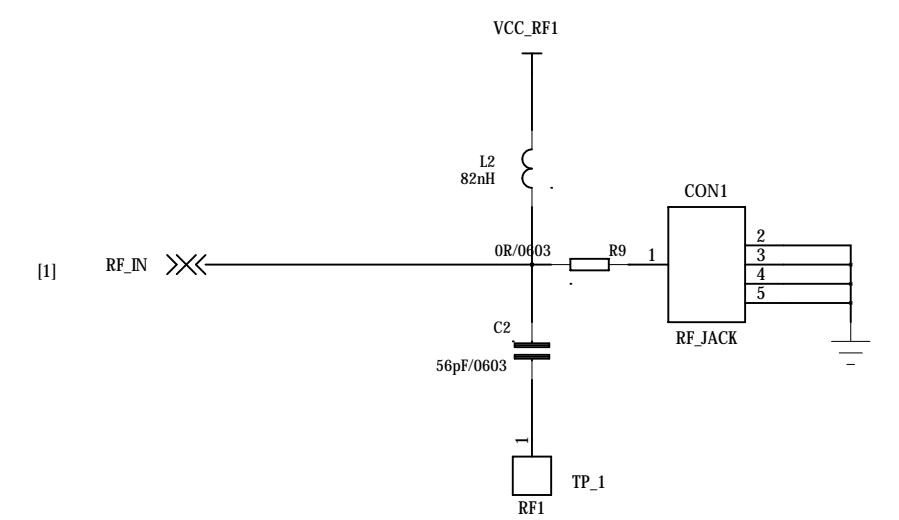
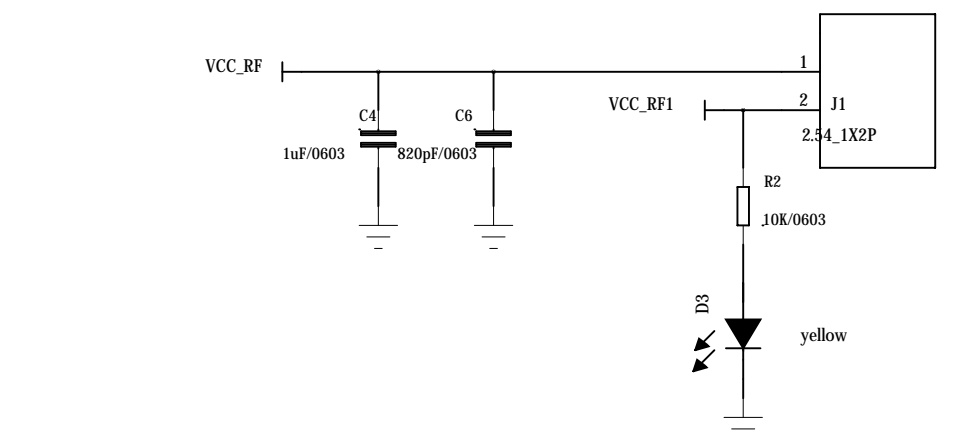
# WH-GN100



# 12P



# ANT



# KEY

